



The 360-litre Citybac™

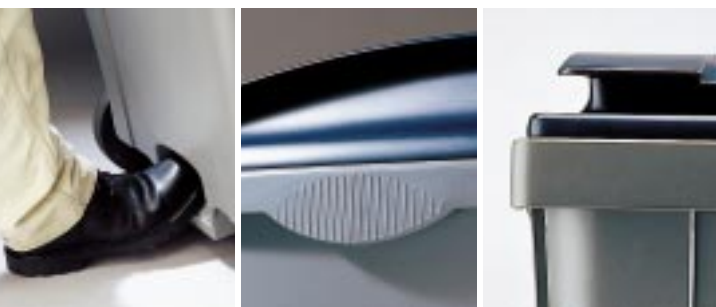


This new Citybac, with an actual volume of 360 litres, conforms to European standard NF EN 840 I for the 340-litre nominal volume category.

The 360-litre Citybac is fitted with a brand new “air-cushion” sound-proof system on the lid. A patent for its innovative features and performance has currently been registered with the INPI (French National Institute for Industrial Property).

The 360-litre Citybac is available in the standard range of colours and grips, customisation options, electronic chip identification from the Citybac 2-wheel range.

For further details, refer to the general documentation and the specific technical files.



Technical characteristics



■ The air cushion effect encourages the creation of excess pressure in the bin which stops the lid banging shut and therefore reduces noise pollution.



■ The side handles are an integral part of the design. They make it easier to move the Citybac securely sideways onto the comb of the container-lifter.



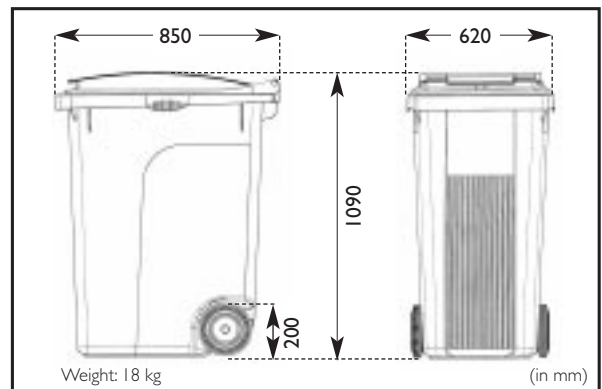
■ A wide integrated handle on the outside of the lid makes opening and shutting easier.



■ A large area for personalisation on the front of the bin.



■ A foot recess for activating wheeling facilitates moving the 360-litre Citybac.



Colours

Two new colours are to be added to the range of standard colours.



PO
Blue
BE



White
BC



Plastic Omnium Urban Systems Limited
Plastic Omnium House, Tweedale Industrial Estate
Madeley, Telford, Shropshire, TF7 4JR
Tel: 01952 582 583 Fax: 01952 586 453
www.plasticomnium.com/services
email: uksales.su@plasticomnium.com
Dedicated Order Fax: 01952 680 385